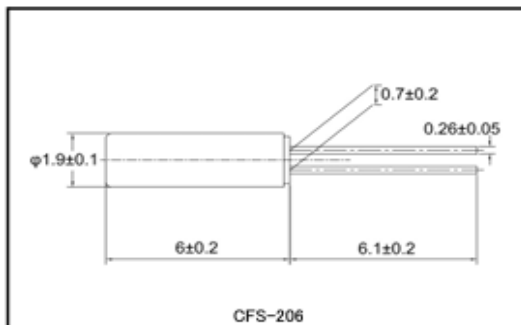


# CFS-206



## TUNING FORK CRYSTAL UNIT

■ Molding a heat resistance cylinder with resin.

■ Applications

Watch / Clock / Security devices / Consumer products

## Standard Specification

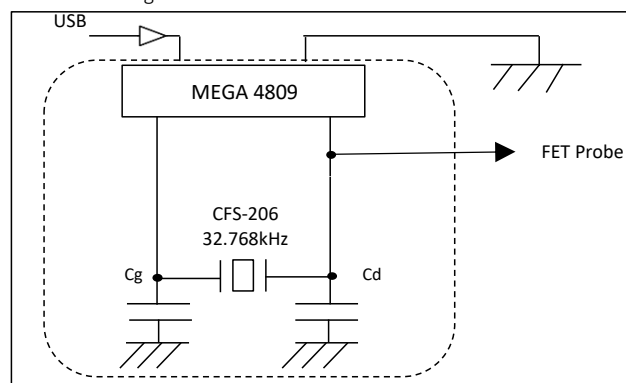
Nominal Frequency	kHz	32.768
Load Capacitance/CL	pF	6/7/9/12.5
Frequency Tolerance	ppm	+/-20
Operatating Temperature Range	°C	-20 to +70
Storage Temperature Range	°C	-40 to +85
Motional Resistance	Ω	35k Max
Level of drive	uW	1 uW max.
Insulation Resistance	MΩ	500 Min. (at DC100+/-15V)

## Investigation Report of Oscillation Circuit

\*USB/at 25°C

I C		MICRO CHIP / MEGA 4809 (PWB:A09-3206/07)	
CRYSTAL		CFS-206	
Nominal Frequency	kHz	32.768	
Laod Capacitance	pF	7	
Cg,Cd	pF	4	4
Negative Resistance (-R)	ohm	330k	
Drive Level	μW	0.1	

\* Our Recommendable Negative Resistance Value : over 150k ohm



※Matching is ONLY for reference.

It is related to the current board configuration and any changes on the boards and crystal spec is under customer's responsibility.

CITIZEN FINEDEVICE CO., LTD. /MIYOTA PLANT  
Micro Devices Division

4107-5 Miyota Miyota-machi Kitasaku-gun  
Nagano 3890295 Japan  
TEL) +81-267-31-1111  
<https://cfd.citizen.co.jp/>