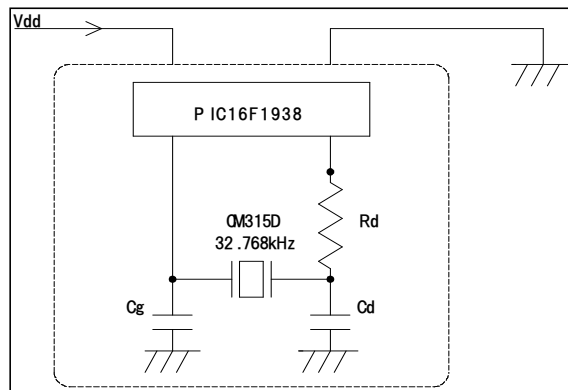


Investigation Report of Oscillation Circuit

*at Vdd=3.3V/25°C

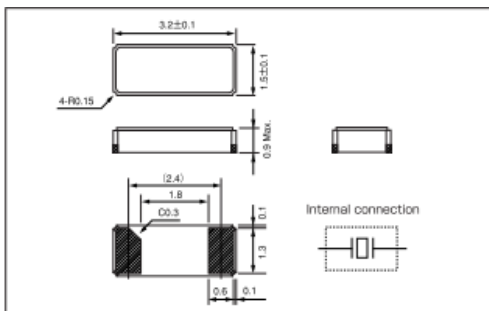
IC		Microchip Technology Inc.	
		PIC16F1938	
CRYSTAL		CM315D	
Nominal Frequency	kHz	32.768	
Laod Capacitance	pF	6	
Rd	kΩ	100	
Cg,Cd	pF	10	10
Negative Resistance (-R)	ohm	370k	
Drive Level	μW	0.1	

* Our Recommendable Negative Resistance Value : over 200k ohm



*These recommendations are based on actual evaluation results and intended to support users in picking the right components. As the actual board layout and choice of external components influences the best suitable crystal load capacitance, we does not assume evaluation. Please refer to IC maker's manual for designing.

CM315D



TUNING FORK CRYSTAL UNIT		
<ul style="list-style-type: none"> ■ Tuning fork crystal with ceranic packaged type. ■ High-density SMD type. <li style="padding-left: 20px;">Ultra-light weight with ultra-miniature packaging. <li style="padding-left: 20px;">High-stability assured with tight vaccum sealing. ■ Most appropriate for portable devices and mobile telecommunications devices. 		
Standard Specification		
Nominal Frequency	kHz	32.768
Frequency Tolerance	ppm	+/- 20 (at 25°C)
Operatating Temperature Rang	°C	-40 to 85
Storage Temperature Range	°C	-55 to 125
Motional Resistance	Ω	70k
Level of drive	uW	1 Max.
Insulation Resistance	MΩ	500 Min. (at DC100+/-15V)